

# SFA

**PUMP**

06.04  
IND1-01

**SANISPEED**®

**SANIVITE**®

**SANIDOUUCHE**®



**1 AVERTISSEMENT**

This unit is a pump which will clean the waste from a shower, washbasin or bath. It starts automatically.  
**SANIVITE** and **SANISPEED**® can also pump away the waste from a washing machine, glass washer, and a sink.

**7 INSTALLATION**

The unit should be accessible for possible maintenance.  
 The unit has fixing lugs that will stop any movement.

**7a CONNECTION SIDE INTLETS**

Use connector **A** for connection of pipes to the side inlets.  
 Secure with the plastic herbie clips. Cap off unused inlets with the end caps provided, after greasing the joints.  
 (**SANIVITE**® and **SANISPEED**®)

**7b CONNECTION TO LID INTLETS**  
(**SANIVITE**® and **SANISPEED**®)

To connect to a lid inlet, cut off the sealed cap with a hack saw and connect using the rubber connectors provided. Tighter with the plastic herbie clips.

**7c CONNECTION OF BATHROOM APPLIANCES**  
(**SANIVITE**® and **SANISPEED**®)

To connect a shower, ensure that the trap exit is 15 cm above floor level. Although not obligatory, a lid connection may be used to run an external air vent.

**7c CONNECTION OF BATHROOM APPLIANCES**  
(**SANISHOWER**®)

To install a shower next to the unit, connect one end of the connector to the inlet spigot, and the other end to the 40mm shower waste. Secure using the herbie clips provided, tightening them with a pair of pliers/pincers.

Warning : Ensure that the shower trap exit is 60mm above ground level.

Installation under the tray : Lift the tray at least 145mm to accommodate the unit.

Warning : Prepare an access trap to the unit of at least L-400mm and H- 145mm (the access trap should be built so that tool is required to open it).

**7d DISCHARGE CONNECTION**  
(**SANIVITE**® and **SANISPEED**®)

The discharge should be in 32mm pipe, in copper or plastic (PVC, ABS...).

Observe the pumping parameters of the unit (vertical and horizontal combination).

All horizontal pipes should have a 1% (1cm per metre) fall on the horizontal pipe, all the way to the drain.

**7d DISCHARGE CONNECTION**  
(**SANISHOWER**®)

- Push the elbow **E** into the rubber discharge pipe and secure with clip **G**.
- Connect the non-return valve **F** to the other end of the elbow and secure with clip **G**.
- If the non-return valve is to be mounted horizontally, use some rigid 22mm pipe to join the discharge point to the non-return valve. Secure both ends with the clips **G**.
- If the non-return valve is installed horizontally, the arrow should show along the top.

**Connection to the optional inlet**

- Use a cutter (e.g. Stanley knife) to remove the cap from the optional inlet (see figure 7d). Make sure the hole is not cut at an angle, and that the edges are deburred.

Warning : Make sure that this operation is carried out precisely, otherwise the joint will not be watertight.

- The rubber connector **C** can be used for 40 mm or 32 mm waste pipe. If fitting 32 mm waste, cut off the end of connector **C** (see figure 7d). Push the neck of connector **C** into the hole. If is a grip fit, which is why the hole must be cut accurately. Secure the waste pipe to **C** with clip **D**.

**TECHNICAL ADVICE FOR DISCHARGE**

To avoid siphoning, install a vacuum breaker (Nicoll or similar type) at the high point of the installation.

(**SANIVITE**® and **SANISPEED**®)

Orient the opening end of the non-return valve in the direction of the discharge. Secure with the large jubilee clip.

**7e IN CASE OF SERVICING**

For possible service requirements, provide a drain off at the low point of the installation.

**7f CONNECT TO THE POWER SUPPLY**

Connect to the power supply in accordance with electrical regulations BS EN 60335-1.

The connection should be to an unswitched fused connector with a 5 amp fuse.

Any service work should only be carried out by a qualified person (eg Saniflo service engineer).

**SANIVITE**® and **SANISPEED**® : the units should be installed so they are easily accessible /removable for possible maintenance. The unit should not be exposed to splashing in normal use.

**SANISHOWER**® : Connect the wires in accordance with their colour coding :

live	=	brown
neutral	=	blue
earth	=	yellow/green

**8 STANDARD**

- The unit conforms with EN 12050-2 effluent lifting station.

**9 CARE AND USE**

**SANIVITE**® and **SANISPEED**® are designed to handle the waste evacuation from a domestic kitchen sink, dishwasher and washing machine - all working at the same time if required. Its powerful pump will deal with every day normal usage.

**SANISHOWER**® is designed to handle a WC from a shower and handbasin.

Warning : Do not dispose of solvents, paints (do not wash paint brushes in sink), caustic, acid or other chemicals into these products.

Depending on usage, the **SANIVITE**® and **SANISPEED**® may need to be cleaned from time to time. Heavy usage can result in a build up of fat and grease.

The **SANIVITE**® and **SANISPEED**® unit will pump away water as hot as 60°C for a short period (i.e. to clear the hottest waste water from a washing machine). However, do not pour boiling water directly into the **SANIVITE**® and **SANISPEED**® unit.

When the **SANIVITE**® and **SANISPEED**® is pumping very hot water for a prolonged period of time, it will automatically cut out to protect the motor (thermal cut-out). When this happens the **SANIVITE**® and **SANISPEED**® will shut down long enough to cool down (approx. 1 hour) and automatically resume normal operation when ready.

**10 DISMANTLING**

Disconnect from the power supply before attempting any work on the unit.

The unit does not require any specific maintenance.

In case of a service requirement, please call own Saniflo service engineer, especially for any electrical work.

**11 GUARANTEE**

This unit is guaranteed for 2 years subject to correct installation and usage.

## FRANCE

SOCIETE FRANÇAISE  
D'ASSAINISSEMENT  
8, rue d Aboukir  
75002 Paris  
Tél. 01 44 82 39 00  
Fax 01 44 82 39 01

## UNITED KINGDOM

SANIFLO Ltd.,  
Howard House, The  
Runway  
South Ruislip (Middx.,)  
HA4 6 SE  
Tel. (0208) 842 0033  
Fax (0208) 842 1671  
Telex: 934 335 G SAN-  
FLO

## ESPAÑA

GRUPO SFA  
C/ Cuzco, 41  
08030 Barcelona  
Tel. (93) 381 85 97  
Fax (93) 462 18 96

## DEUTSCHLAND

SFA SANIBROY GmbH  
Waldstr. 23 Geb. B5  
63128 Dietzenbach  
Tel. (060 74) 30928-0  
Fax (060 74) 30928-90

## BENELUX

SFA BENELUX B.V.  
Voltaweg 4  
6101 XK Echt  
Tel. +31 475 487100  
Fax +31 475 486515

## CANADA

SFA-SANIFLO INC.  
1-685 Speedvale  
Avenue West  
Guelph ON - N1K 1E6  
Tel. +1 519 824 1134  
Fax +1 519 824 1143

## SVERIGE

SANIFLO AB  
BOX 86  
S-133 22 Saltsjöbaden  
Tel. 08-717 5680

## ITALIA

SFA ITALIA spa  
Via del Benessere  
27010 Siziano (PV)  
Tel. 03 82 61 81  
Fax 03 82 61 8200


## РОССИЯ

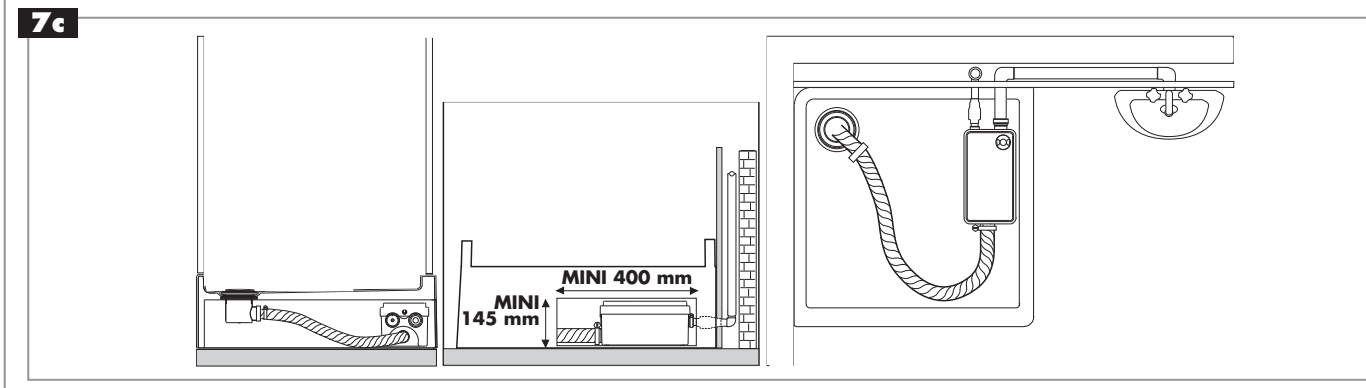
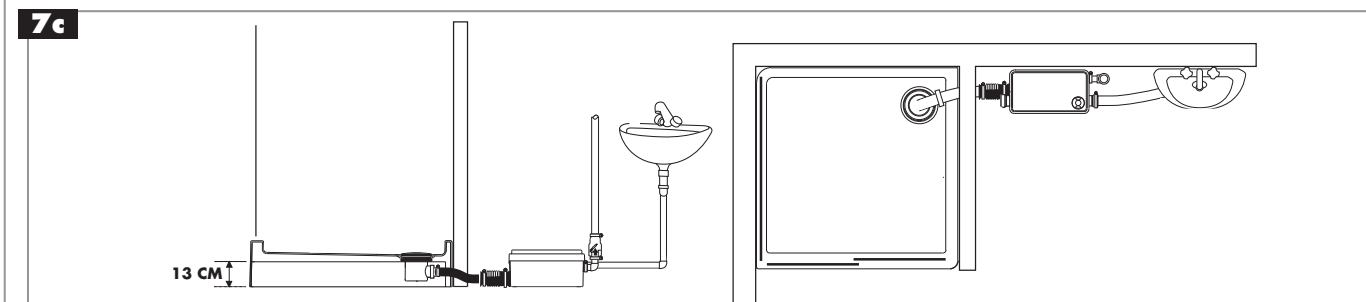
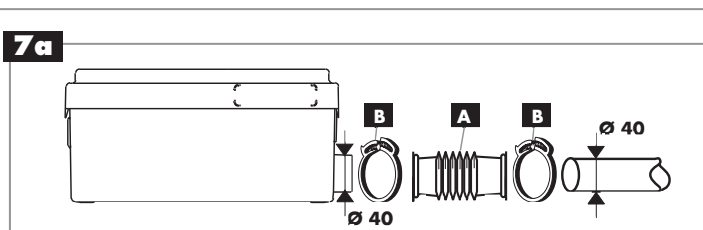
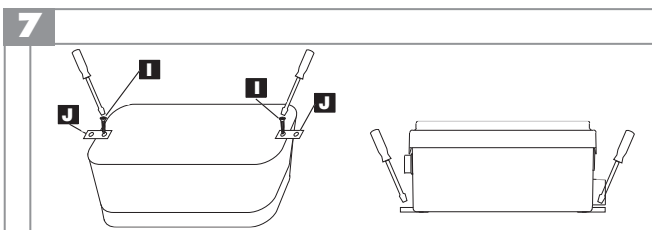
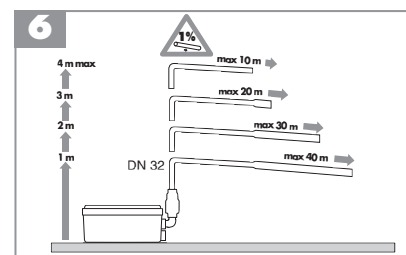
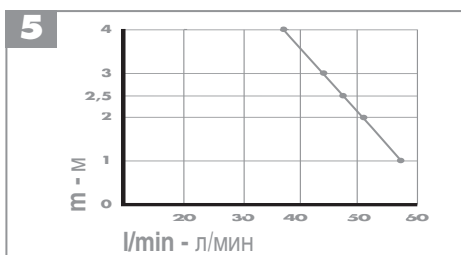
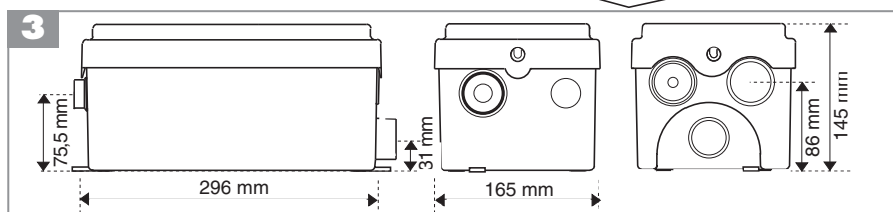
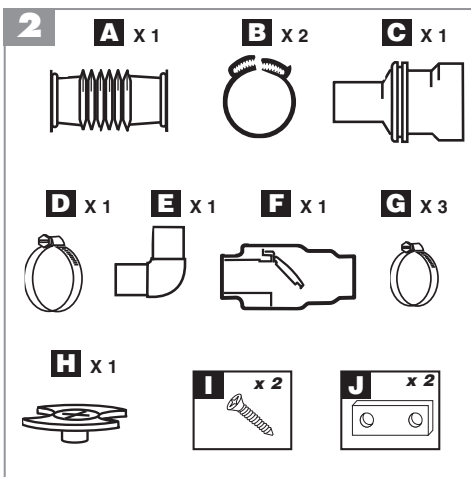
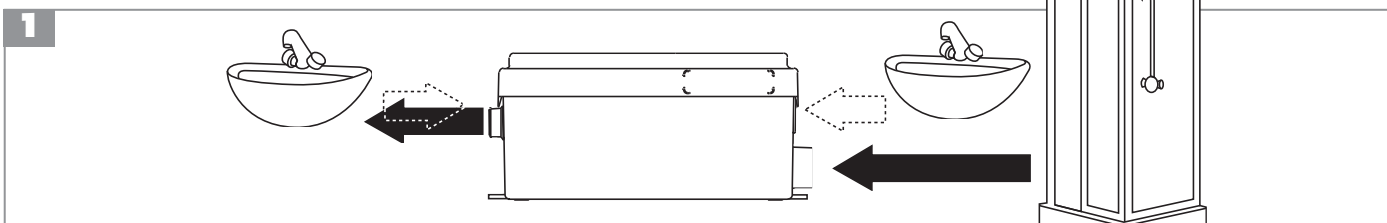
SFA РОССИЯ  
101000 Москва  
Колпачный пр.  
9а, ком.1 03  
Тел.(095) 921 87 71  
факс (095) 921 87 71

## IRELAND

SANIRISH Ltd  
IDA Industrial Estate  
Edenderry  
County Offaly  
Tel. + 353 46 9733 102  
Fax + 353 46 97 33 093

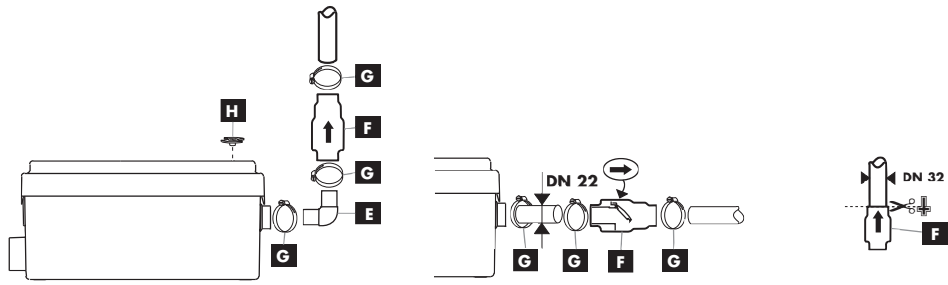
## SERVICE HELPLINES

	TEL	FAX
France	 N°Azur 0 810 05 90 02 <small>1 UT par appel</small>	03 44 94 46 19
United Kingdom	(08457) 650011 (CALL FROM A LANDLINE)	(0208) 8421671
Canada	+1 800 363 5874	+1 519 824 1143
Deutschland	0800 82 27 82 0	(060 74) 30928-90
España	(93) 381 85 97	(93) 462 18 96
Benelux	+31 475 487100	+31 475 486515
Italia	800 636394	+39 0382 618200
Sverige	08-744 15 18	08-717 8686
Россия	(095) 921 87 71	(095) 921 87 71
Ireland	+ 353 46 97 33 102	+ 353 46 97 33 093

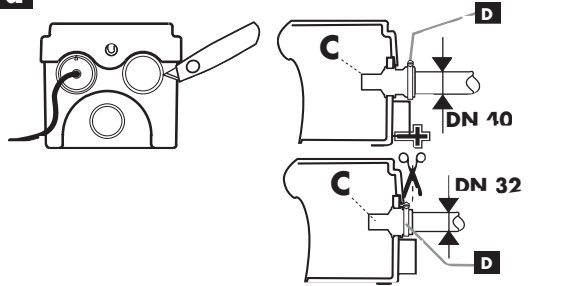


7

7d



7d



8

**SANIDOUCHE® SANISHOWER®**  
 Société Française d'Assainissement  
**EN 12050-2**

**FF01-D60**  
 220-240 V - 50 Hz - 250 W - IP44 - 1,3A - ⚡  
 3,5 KG

