

**KITCHEN SINK HIGH SPOUT  
FAUCET  
K-12185**

ADA

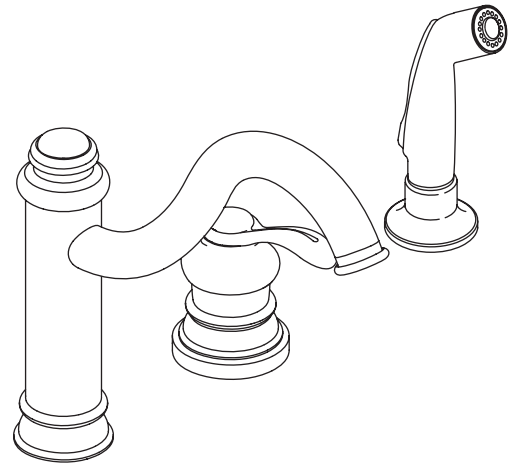
**Features**

- Metal construction
- Brass valve body
- One-piece, self-contained ceramic disc valve allows both volume and temperature control
- Temperature memory allows faucet to be turned on and off at any temperature setting
- High-temperature limit setting for added safety
- Color matched handspray
- 2.2 gallons (8.3 L) per minute maximum flow rate
- Lower flow aerator options are available (refer to the Kohler Price Book)
- 9-3/8" (23.8 cm) swing spout

**Codes/Standards Applicable**

Specified model meets or exceeds the following:

- ASME A112.18.1
- CSA B125
- IAPMO/UPC
- Energy Policy Act of 1992
- NSF 61
- ADA
- CSA International



**Colors/Finishes**

- CP: Polished Chrome
- BN: Brushed Nickel
- Other: Refer to Price Book for additional colors/finishes

**Accessories**

- NA: None applicable

**Specified Model**

Model	Description	Colors/Finishes
K-12185	Kitchen sink high spout faucet with handspray	<input type="checkbox"/> CP <input type="checkbox"/> BN <input type="checkbox"/> Other ____
Optional Accessories		
1030920	Sidespray deep roughing-in kit	<input type="checkbox"/> NA

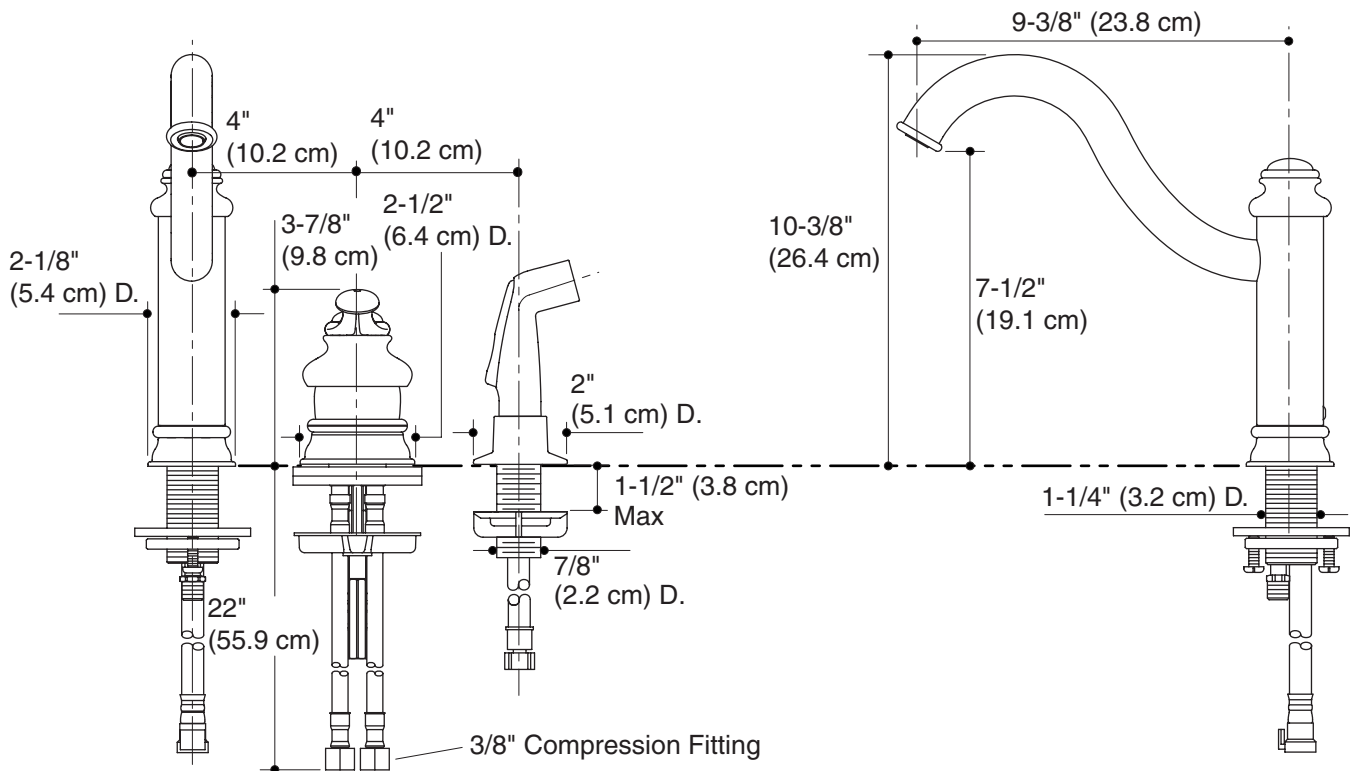
**Product Specification**

Single-control kitchen sink faucet shall be of metal construction. Faucet shall feature brass valve bodies. The valve shall be a one-piece, self-contained ceramic disc valve, and allows both volume and temperature control. The valve shall feature temperature memory, allowing the faucet to be turned on and off at any temperature setting, and includes a high-temperature limit stop for added safety. The faucet shall have a flow rate of 2.2 gallons (8.3 L) per minute. Faucet shall have lower flow aerator options available. Product shall feature 9-3/8" (23.8 cm) swing spout, remote lever handle, flexible connections for easy installation, and handspray. Faucet shall feature ADA compliant handle. Faucet shall be Kohler Model K-12185-\_\_\_\_\_.

# FAIRFAX®

## Installation Notes

Install this faucet following the installation instructions provided.



## Product Diagram