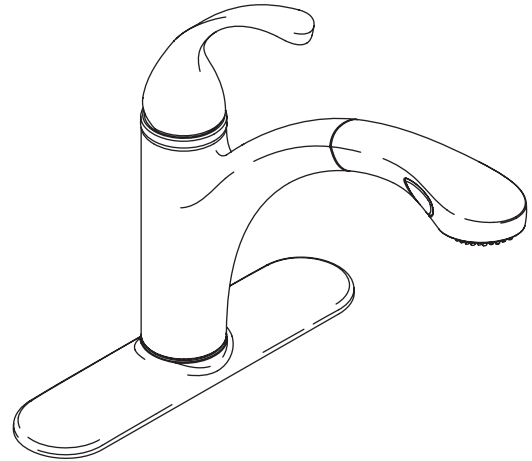


**KITCHEN SINK FAUCET  
K-10433**

ADA

**Features**

- Metal construction
- One-piece, self-contained ceramic disc valve allows both volume and temperature control
- Temperature memory allows faucet to be turned on and off at any temperature setting
- High-temperature limit setting for added safety
- 2.2 gallons (8.3 L) per minute maximum flow rate
- Lower flow aerator options are available (refer to the Kohler Price Book)
- Promotion™ technology with nylon hose and ball joint for easy operation
- MasterClean™ spray nozzles prohibit mineral build-up
- Swing spout with integral pullout spray and hose
- Touch control for stream-to-spray water flow
- 10-1/8" (25.7 cm) swing spout reach
- Includes parts for both single-hole and three-hole installations



**Codes/Standards Applicable**

Specified model meets or exceeds the following:

- ASME A112.18.1/CSA B125.1
- Energy Policy Act of 1992
- NSF 61
- ADA
- IAPMO/cUPC

**Colors/Finishes**

- CP: Polished Chrome
- Other: Refer to Price Book for additional colors/finishes

**Accessories**

- NA: None applicable

**Specified Model**

Model	Description	Colors/Finishes	
K-10433	Kitchen faucet with pullout spray – lever handle	<input type="checkbox"/> CP	<input type="checkbox"/> Other ____
Optional Accessories			
1012715	Deep rough-in kit Requires 1-7/16" (3.7 cm) to 1-1/2" (3.8 cm) diameter hole to accommodate 1-1/2" (3.8 cm) to 3-3/8" (8.6 cm) thick installations.	<input type="checkbox"/> NA	

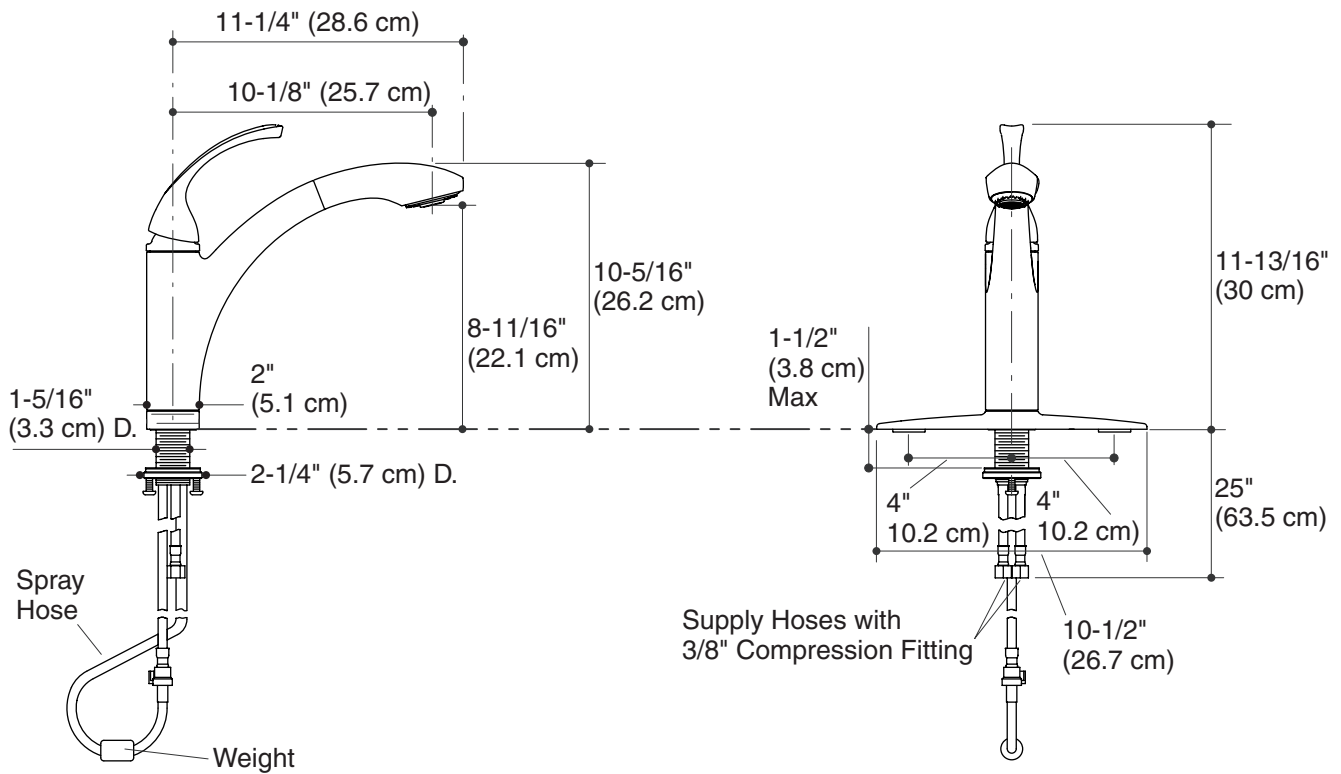
**Product Specification**

Single-control pullout spray kitchen sink faucet shall be of metal construction. Valve shall be a one-piece, self-contained ceramic disc valve and allows both volume and temperature control. Valve shall feature temperature memory, allowing the faucet to be turned on and off at any temperature setting. Valve shall include a high-temperature limit stop for added safety. Faucet shall be have a maximum flow rate of 2.2 gallons (8.3 L) per minute with lower flow aerator options available (refer to Kohler Price Book). Faucet shall feature a 10-1/8" (25.7 cm) swing spout reach. Faucet shall feature Promotion technology with nylon hose and ball joint for easy operation. Faucet shall feature MasterClean spray nozzles prohibit mineral build-up. Faucet shall feature a touch control for stream-to-spray water flow and swing spout with integral pullout sprayhead and hose. Faucet shall include parts for both single-hole and three-hole installations. Faucet shall be Kohler Model K-10433-\_\_\_\_\_.

# FORTÉ®

## Installation Notes

Install this product according to the installation guide.



### Product Diagram