

**KITCHEN SINK FAUCET
K-10416**

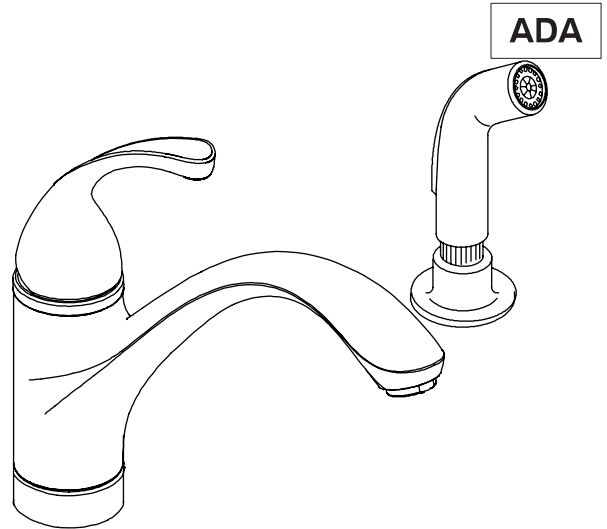
Features

- Metal construction
- One-piece, self-contained ceramic disc valve allows both volume and temperature control
- Temperature memory allows faucet to be turned on and off at any temperature setting
- High-temperature limit setting for added safety
- 9-1/16" (23 cm) swing spout reach
- Lower flow aerator options are available (refer to the Kohler Price Book)
- Lever handle
- Handspray
- 2.2 gallons (8.3 L) per minute maximum flow rate

Codes/Standards Applicable

Specified model meets or exceeds the following:

- ASME A112.18.1/CSA B125.1
- IAPMO/cUPC
- NSF 61
- Energy Policy Act of 1992
- ADA



Colors/Finishes

- CP: Polished Chrome
- BN: Brushed Nickel
- Other: Refer to Price Book for additional colors/finishes

Accessories

- NA: None applicable

Specified Model

Model	Description	Colors/Finishes		
K-10416	Kitchen sink faucet	<input type="checkbox"/> CP	<input type="checkbox"/> BN	<input type="checkbox"/> Other

Optional Accessories		
1030920	Sidespray deep roughing-in kit	<input type="checkbox"/> NA

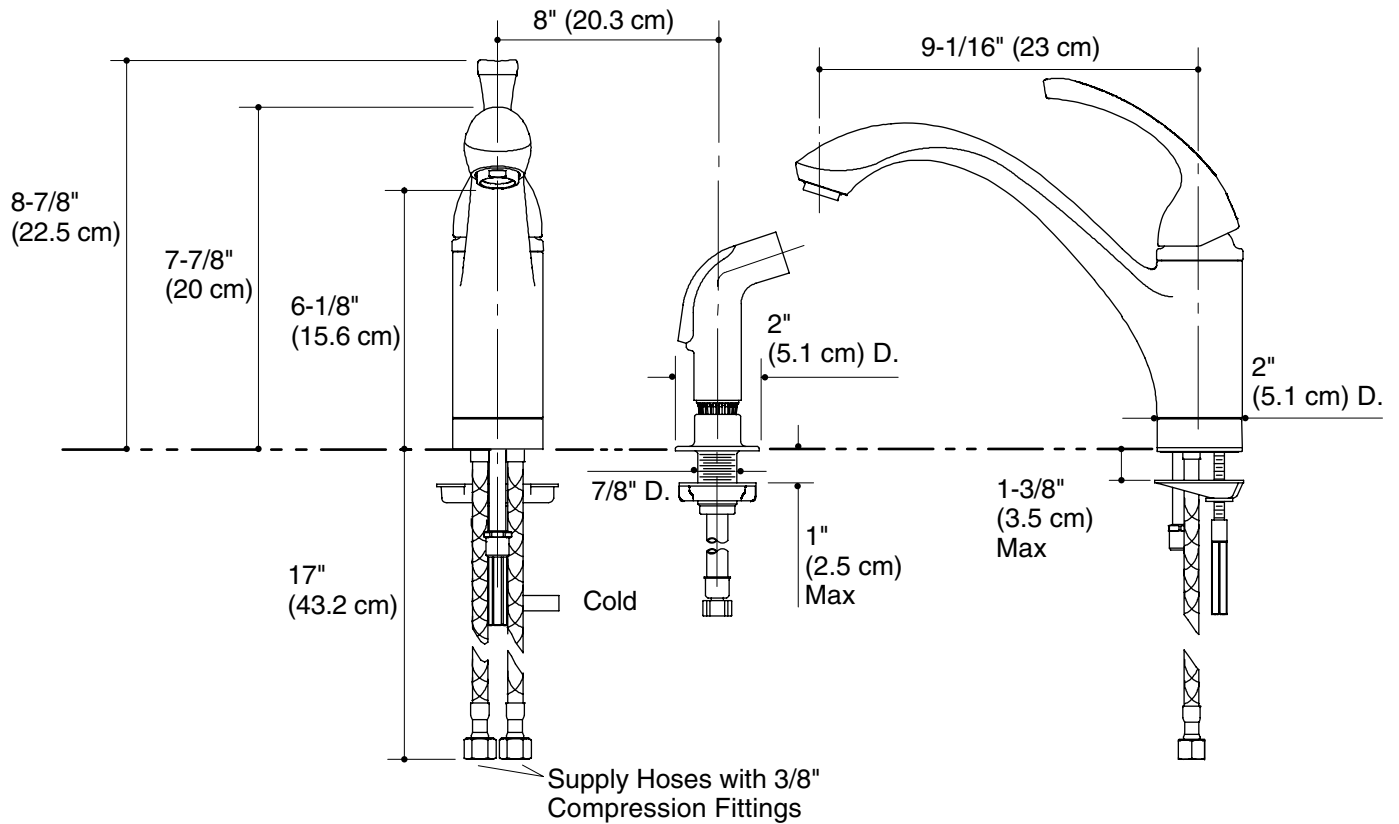
Product Specification

Single-control kitchen sink faucet shall be of metal construction. The valve shall be a one-piece, self-contained ceramic disc valve, and allows both volume and temperature control. The valve shall feature temperature memory, allowing the faucet to be turned on and off at any temperature setting, and includes a high-temperature limit stop. The faucet shall have a flow rate of 2.2 gallons (8.3 L) per minute. Lower flow aerator options shall be available, as listed in the Kohler Price Book. Product shall include 9-1/16" (23 cm) swing spout, lever handle, flexible supplies, and handspray. Faucet shall be Kohler Model K-10416-____.

FORTÉ®

Installation Notes

Install this product according to the installation guide.



Product Diagram