

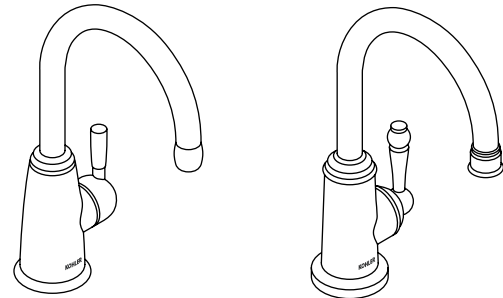
**BEVERAGE FAUCET
K-6665**

ALSO K-6665-F, K-6666, K-6666-F

ADA

Features

- Brass construction
- Single-hole mounting
- Brass valve body
- Quarter-turn washerless ceramic disc valves
- 1.6 gal (6 L) per minute flow rate
- Right side lever handle
- Single cold water braided stainless steel supply hose
- Includes aerator
- Available with contemporary or traditional styling
- Available with Aquifer Water Filtration System [-F]
- 8-3/4" (22.2 cm) [K-6665] or 7-5/8" (19.4 cm) [K-6666] high-arch pivoting spout



Codes/Standards Applicable

Specified model meets or exceeds the following:

- ASME A112.18.1/CSA B125.1
- Energy Policy Act of 1992
- ADA
- IAPMO/cUPC

Colors/Finishes

- CP: Polished Chrome
- Other: Refer to Price Book for additional colors/finishes

Accessories

- NA: None applicable

Specified Model

Model	Description	Colors/Finishes	
K-6665	Beverage faucet – contemporary styling	<input type="checkbox"/> CP	<input type="checkbox"/> Other _____
K-6665-F	Beverage faucet with Aquifer Water Filtration System – contemporary styling	<input type="checkbox"/> CP	<input type="checkbox"/> Other _____
K-6666	Beverage faucet – traditional styling	<input type="checkbox"/> CP	<input type="checkbox"/> Other _____
K-6666-F	Beverage faucet with Aquifer Water Filtration System – traditional styling	<input type="checkbox"/> CP	<input type="checkbox"/> Other _____

Optional Accessories*		
K-201	Aquifer hi-flow replacement cartridge – 1.5 gpm (5.7 lpm) flow rate with 1,500 gal (5,678 L) capacity	<input type="checkbox"/> NA
K-202	Aquifer premium replacement cartridge – 0.6 gpm (2.3 lpm) flow rate with 1,500 gal (5,678 L) capacity	<input type="checkbox"/> NA

*Cartridge required for -F models only.

Product Specification

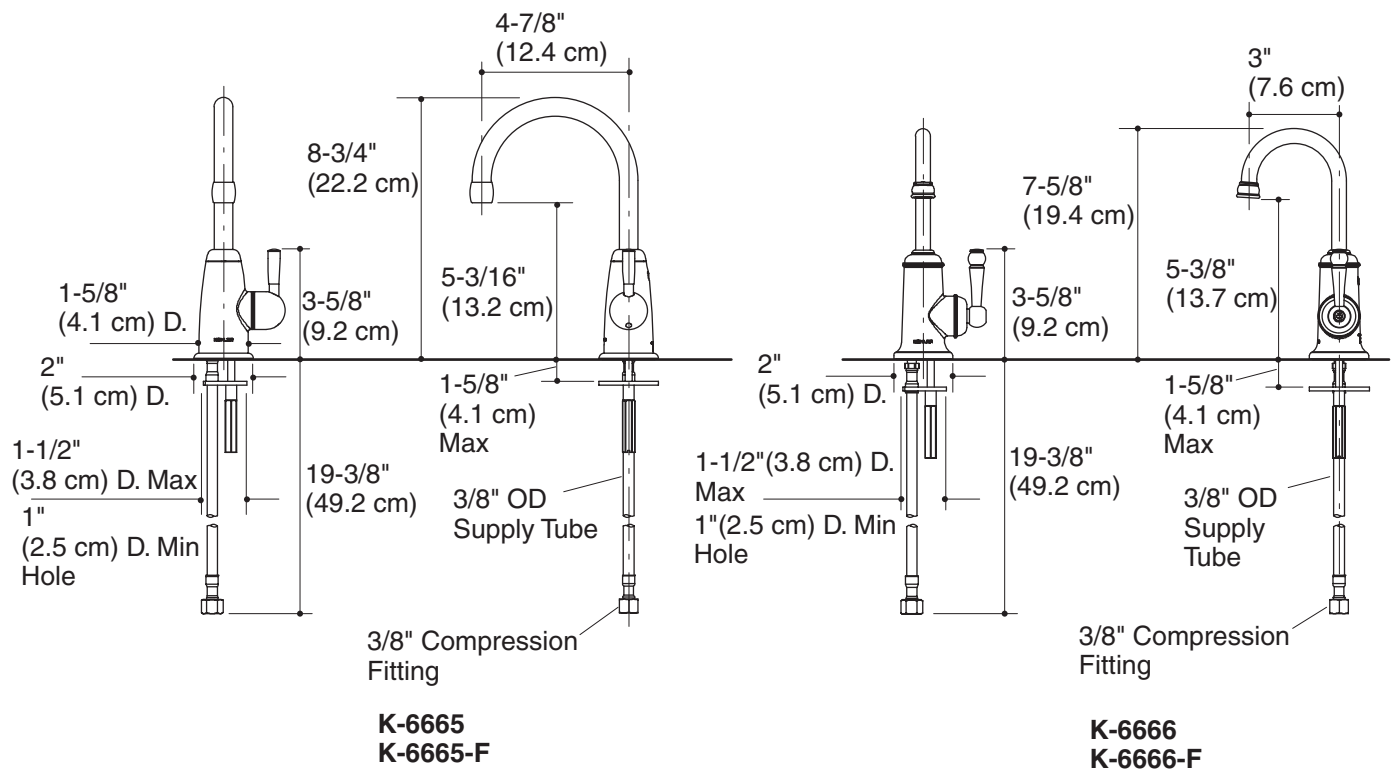
The single-hole mounting beverage faucet shall be of brass construction. Product shall be available with an 8-3/4" (22.2 cm) [K-6665] or 7-5/8" (19.4 cm) [K-6666] high-arch pivoting spout. Product shall feature a brass valve body and quarter-turn washerless ceramic disc valve. Product shall feature a right side lever handle and a 1.6 gal (6 L) per minute flow rate. Product shall include an aerator and a single cold water braided stainless steel supply hose. Product shall be available with contemporary or traditional styling. Product shall be available with an Aquifer Water Filtration System [-F]. Faucet shall be Kohler Model K-____-____ or K-____-____.

WELLSPRING®

Installation Notes

Install this product according to the installation guide.

NOTICE: Do not use this product with instant hot water systems or reverse osmosis (RO) filtration systems. Product damage will result.



Product Diagram