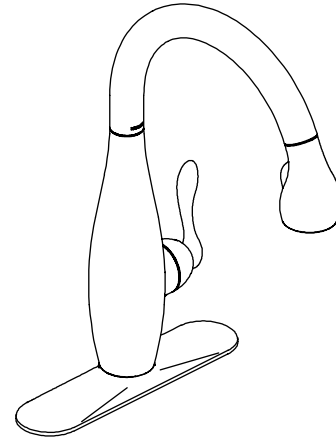


**Features**

- Metal construction
- One-piece, self-contained ceramic disc valve allows both volume and temperature control
- Temperature memory allows faucet to be turned on and off at any temperature setting
- High-temperature limit setting for added safety
- 2.2 gallons (8.3 L) per minute maximum flow rate
- Lower flow aerator options are available (refer to the Kohler Price Book)
- Touch control for stream-to-spray water flow
- Lever handle
- 10-1/2" (26.7 cm) escutcheon plate for three-hole installation



**Codes/Standards Applicable**

Specified model meets or exceeds the following:

- ASME A112.18.1/CSA B125.1
- IAPMO/UPC
- Energy Policy Act of 1992
- NSF 61
- ADA

**Colors/Finishes**

- CP: Polished Chrome
- BN: Brushed Nickel
- Other: Refer to Price Book for additional colors/finishes

**Accessories**

- NA: None applicable

**Specified Model**

Model	Description	Colors/Finishes		
K-692	Kitchen sink faucet	<input type="checkbox"/> CP	<input type="checkbox"/> BN	<input type="checkbox"/> Other

Optional Accessories		
1012715	Deep rough-in kit Requires 1-7/16" (3.7 cm) to 1-1/2" (3.8 cm) diameter hole to accommodate 1-3/8" (3.5 cm) to 3-3/8" (8.6 cm) thick installations.	<input type="checkbox"/> NA

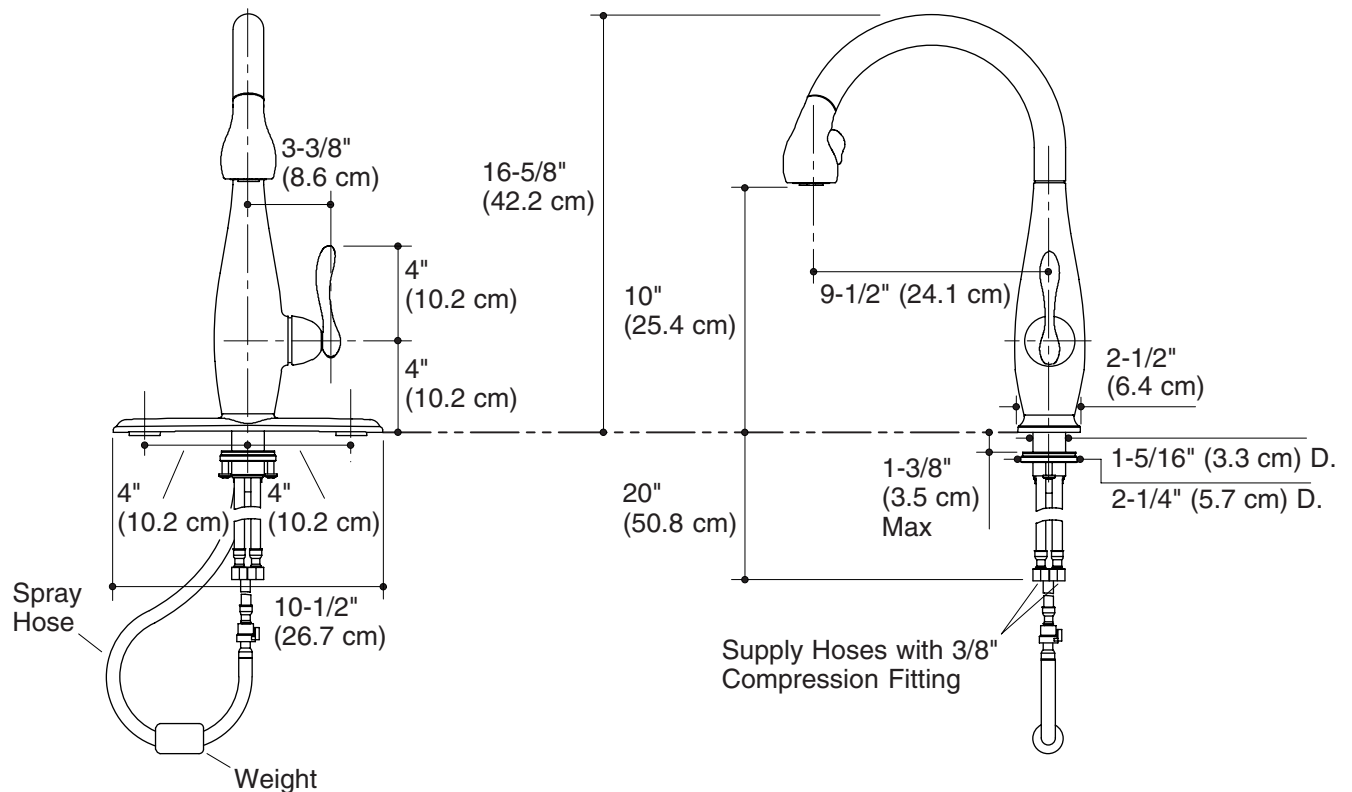
**Product Specification**

Single-control pull-down spray kitchen sink faucet shall be of metal construction. Valve shall be a one-piece, self-contained ceramic disc valve, allowing volume and temperature control. Valve shall feature temperature memory, allowing the faucet to be turned on and off at any temperature setting. Valve includes a high-temperature limit stop. Faucet shall have a flow rate of 2.2 gallons (8.3 L) per minute. Lower flow aerator options shall be available. Faucet shall feature stream-to-spray touch control. Faucet shall include 9-1/2" (24.1 cm) swing spout with integral pullout sprayhead and hose, lever handle, integral vacuum breaker, and 10-1/2" (26.7 cm) escutcheon plate. Faucet shall be Kohler Model K-692-\_\_\_\_\_.

# CLAIRETTE®

## Installation Notes

Install this product according to the installation guide.



## Product Diagram